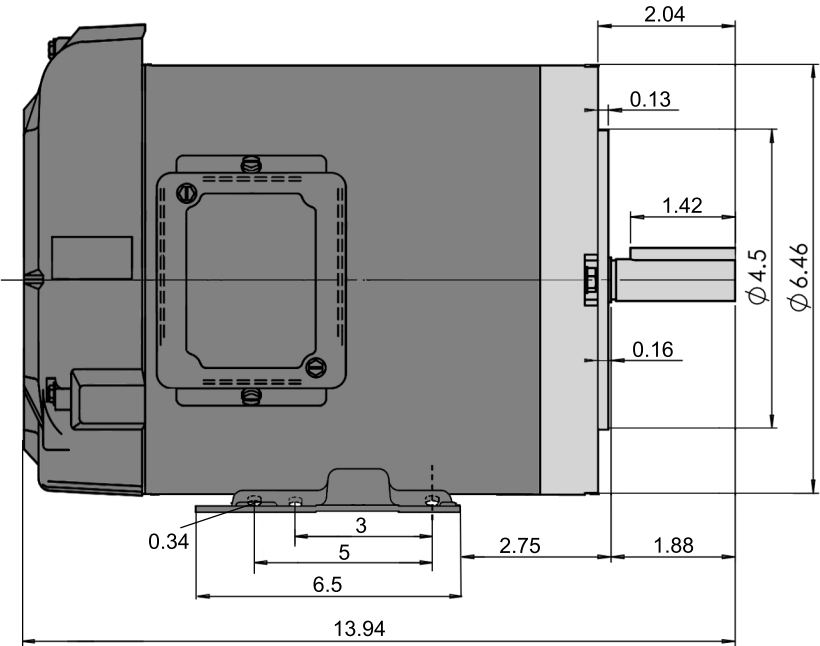
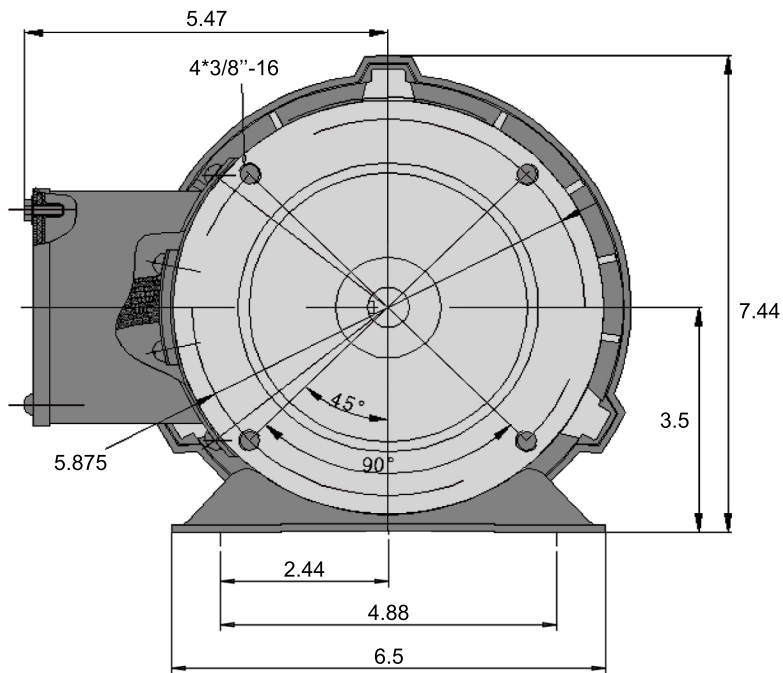
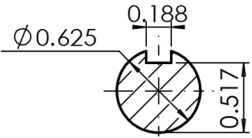


MaxMotion



MDRP-204CW

Version:1WEI	Revised: October 2024	HP	RPM	FRAME	ENCLOSURE
Customer is responsible in determining that MaxMotion product will fit/perform suitably in the intended application		2	1750	56CH	TEFC